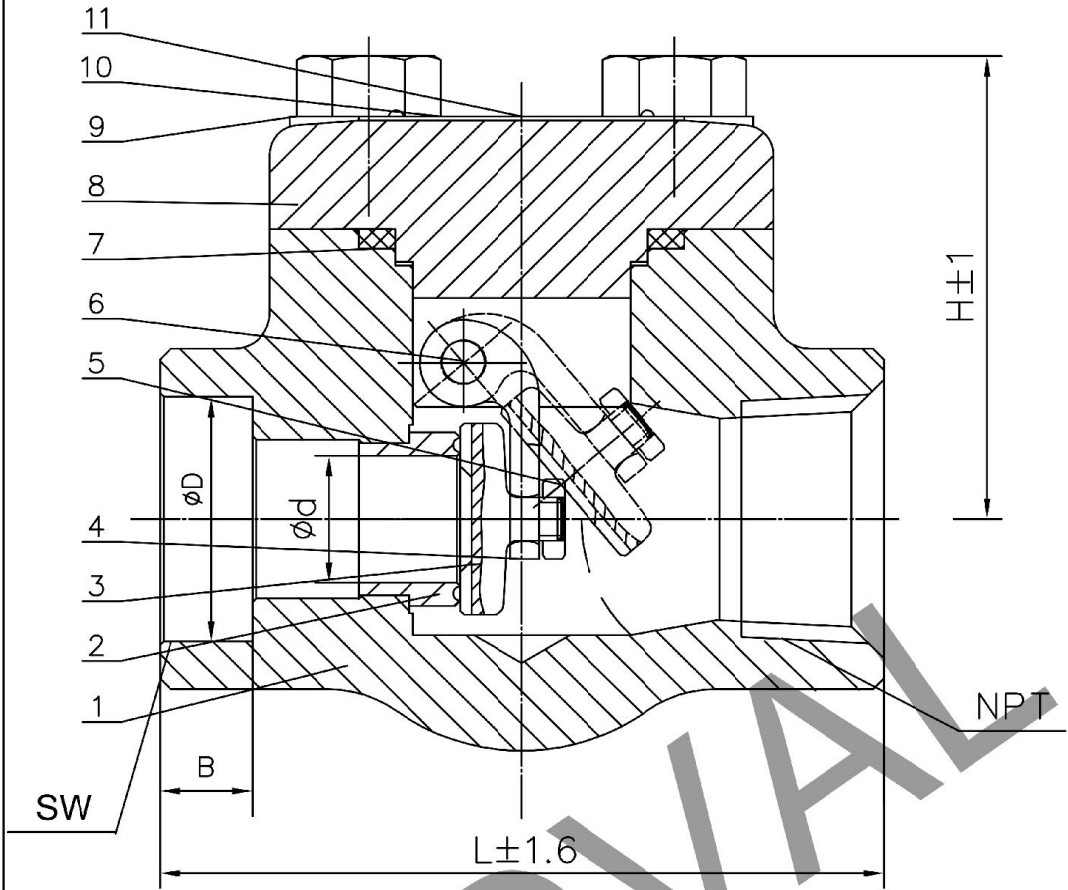


PARTS & MATERIAL LIST

ITEM	PART NAME	MATERIAL
1	Body	ASTM A105
2	Seat	ASTM A276 410
3	Disc	ASTM A276 420
4	Hinge	ASTM A216 WCB
5	Nut	ASTM A194 8
6	Hinge Pin	ASTM A276 420
7	Gasket	304+Graphite
8	Bonnet	ASTM A105
9	Bolt	ASTM A193 B7
10	Nameplate	AL
11	Rivet	AL



Performance			
Pressure	1500	LB	
Test	Shell test	37.5	Mpa
	Back seat test		
	Seal test	27.5	
	Air test		
Max temperature	425	°C	
Medium:W.O.G			

- Note:
- Design as per API602
 - SW end dimension as per ANSI B 16.11
 - NPT end as per ANSI B 1.20.1
 - Face to face according to manufactory
 - Test & Inspect confirm to API598

NPS	L	B	øD	H	ød	NPT
1/2	100	9.6	21.8	64	9.5	1/2"
3/4	100	12.7	27.1	64	13	3/4"
1	114	12.7	33.8	80	17.5	1"
1 1/4	120	12.7	42.6	85	24	1 1/4"
1 1/2	130	12.7	48.7	105	29	1 1/2"

Swing Check Valve-1500#-Reduced port			
CLIENT		DWG REV .NO	00
P.O.NO		CLASS	
APPROVED BY		HYDROSTATIC TEST (PSI)	SHELL SEAT
REVIEWED BY		AIR TSET	
MADE BY		DATE	
DRAWING NO	1/2"-1-1/2"-3980-SWING CHECK		
GDVAL VALVE			