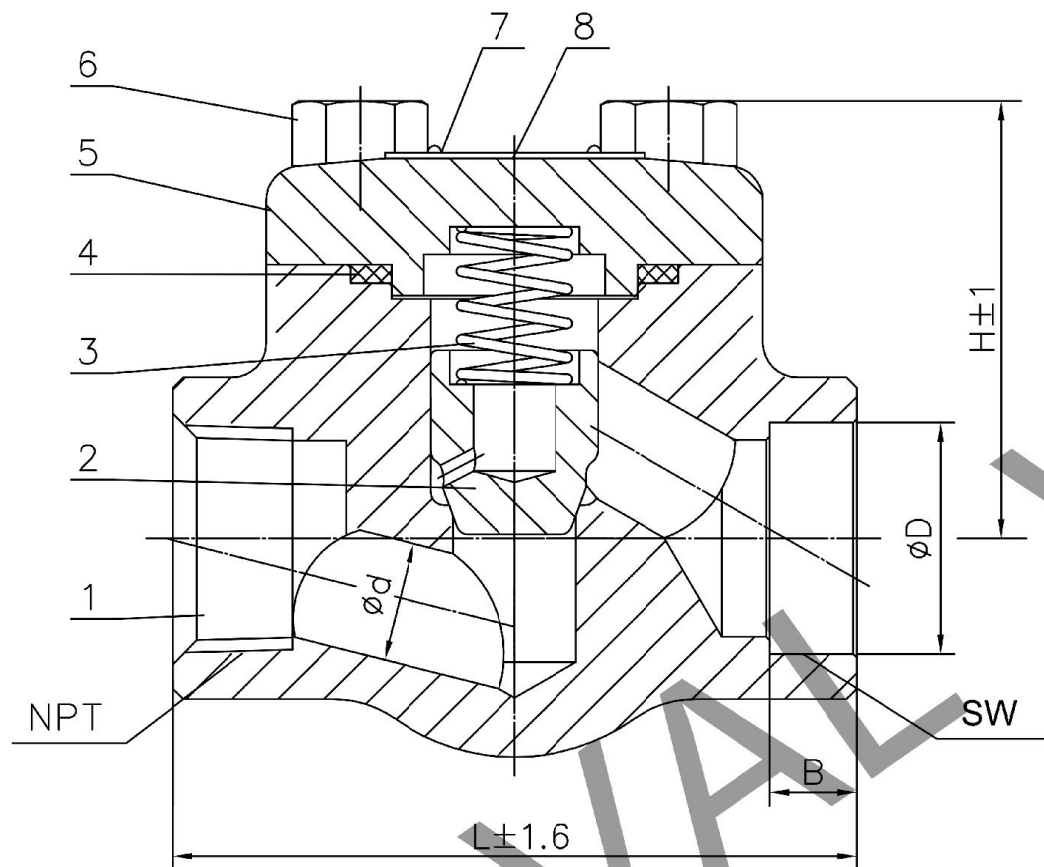


### PARTS & MATERIAL LIST

ITEM	PART NAME	MATERIAL
1	Body	ASTM A105 /ASTM A276 410
2	Disc	ASTM A276 420
3	Spring	304
4	Gasket	304+Graphite
5	Bonnet	ASTM A105
6	Bolt	ASTM A193 B7
7	Nameplate	AL
8	Rivet	AL



Performance		
Pressure	800	LB
Test	Shell test	21.3
	Back seat test	/
	Seal test	14.9
	Air test	/
Max temperature	425	°C
Medium:W.O.G		

**Note:**

- Design as per API602
- SW end dimension as per ANSI B 16.11
- NPT end as per ANSI B 1.20.1
- Face to face according to manufactory
- Test & Inspect confirm to API598

NPS	L	B	øD	H	ød	NPT
1/2	73	9.6	21.8	50	ø9	1/2"
3/4	80	12.7	27.1	53	ø12	3/4"
1	100	12.7	33.8	64	ø17.5	1"
1 1/4	114	12.7	42.6	80	ø22.5	1 1/4"
1 1/2	145	12.7	48.7	85	ø29	1 1/2"
2	160	15.9	61.2	102	ø35	2"

Lift Check Valve-800#-Reduced port

CLIENT		DWG REV .NO	00
P.O.NO		CLASS	
APPROVED BY		HYDROSTATIC TEST (PSI)	SHELL SEAT
REVIEWED BY		AIR TSET	
MADE BY		DATE	
DRAWING NO	1/2"-2"-3780-LIFT CHECK		

**GDVAL VALVE**